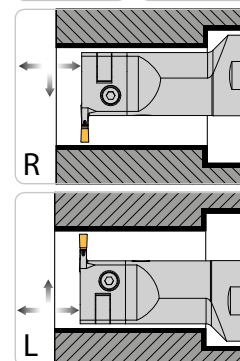
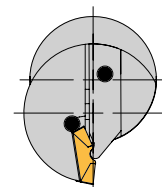
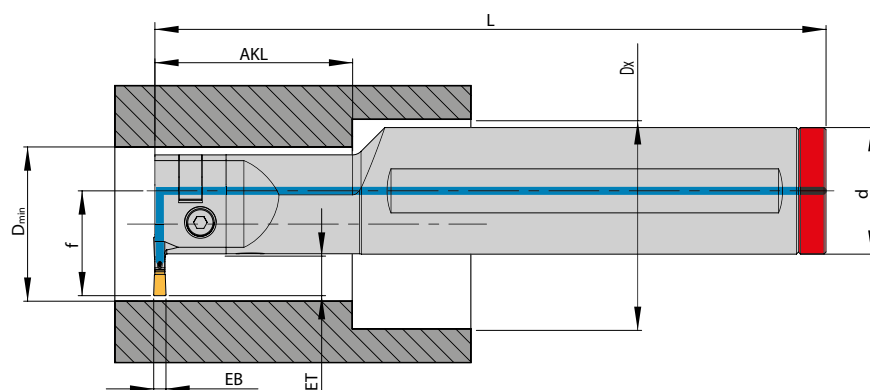


## Innenstechdrehen / Internal groove turning / Scanalatura interna



Rechte Ausführung abgebildet  
Right-hand execution shown  
Versione destra in figura

## Trägerwerkzeuge / Holders / Utensili

Bezeichnung Designation Articolo	D <sub>min</sub>	EB	ET	L	d	f	AKL	D <sub>x</sub>	PG 12	Schneideinsatz Insert Inserto
SIS31-08-20L/R	29,5	3,1	8	130	20	18,5	30	-	●	LOMX 1503...
SIS31-08-40-25L/R	29,5	3,1	8	150	25	21,0	40	39,5	●	LOMX 1503...
SIS31-08-60-25L/R	29,5	3,1	8	150	25	21,0	60	39,5	●	LOMX 1503...
SIS31-10-25L/R	36,5	3,1	10	150	25	23,0	40	-	●	LOMX 1503...
SIS31-10-50-32L/R	36,5	3,1	10	170	32	26,5	50	50,5	●	LOMX 1503...
SIS31-10-75-32L/R	36,5	3,1	10	170	32	26,5	75	50,5	●	LOMX 1503...
SIS41-10-25L/R	36,5	4,1	10	150	25	23,0	40	-	●	LOMX 1804...
SIS41-10-32L/R	43,5	4,1	10	150	32	26,5	40	-	●	LOMX 1804...
SIS41-10-50-32L/R	36,5	4,1	10	170	32	26,5	50	50,5	●	LOMX 1804...
SIS41-10-65-40L/R	43,5	4,1	10	200	40	30,5	65	59,0	●	LOMX 1804...
SIS41-10-75-32L/R	36,5	4,1	10	170	32	26,5	75	50,5	●	LOMX 1804...
SIS41-10-100-40L/R	43,5	4,1	10	200	40	30,5	100	59,0	●	LOMX 1804...
SIS41-14-32L/R	47,5	4,1	14	180	32	30,5	40	-	●	LOMX 1804...

## Ersatzteile / Spare Parts / Ricambi

Trägerwerkzeug Holder Utensile	Schraube Screw Vite	Verschlossring Locking Ring Anello di tenuta
SIS31-08-20 R/L	DIN912-M3X10-12.9	KVR 20
SIS31-08-40-25 R/L	DIN912-M3X10-12.9	KVR 25
SIS31-08-60-25 R/L	DIN912-M3X10-12.9	KVR 25
SIS31-10-25 R/L	DIN912-M4X16-12.9	KVR 25
SIS31-10-50-32 R/L	DIN912-M4X16-12.9	KVR 32
SIS31-10-75-32 R/L	DIN912-M4X16-12.9	KVR 32
SIS41-10-25 R/L	DIN912-M4X16-12.9	KVR 25
SIS41-10-32 R/L	DIN912-M4X16-12.9	KVR 32
SIS41-10-50-32 R/L	DIN912-M4X16-12.9	KVR 32
SIS41-10-65-40 R/L	DIN912-M4X16-12.9	KVR 40
SIS41-10-75-32 R/L	DIN912-M4X16-12.9	KVR 32
SIS41-10-100-40 R/L	DIN912-M4X16-12.9	KVR 40
SIS41-14-32 R/L	DIN912-M4X16-12.9	KVR 32